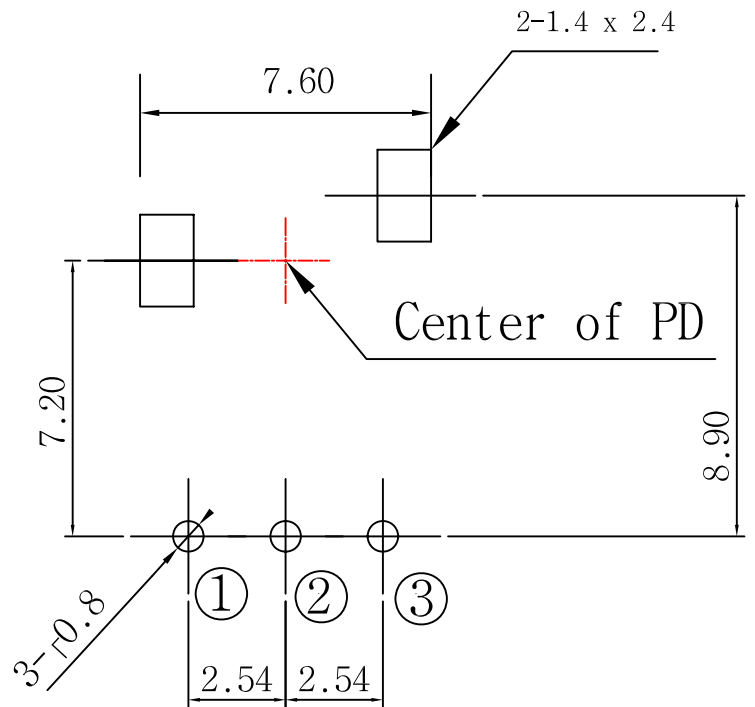
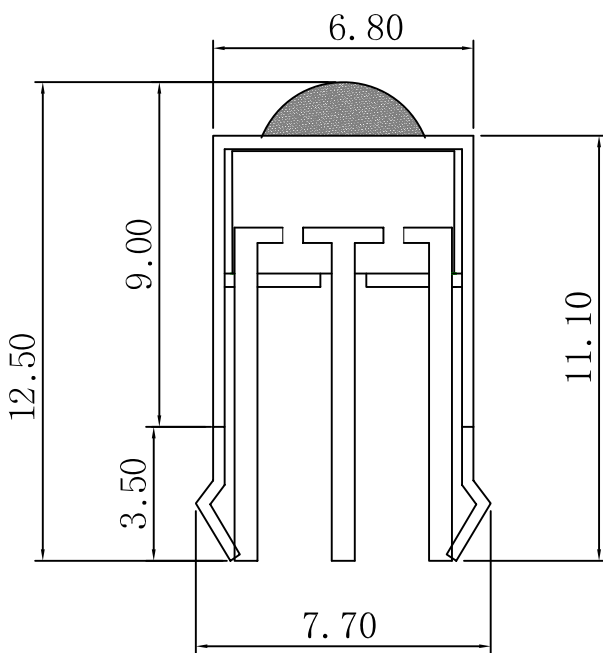


**Top View**



NOTE:

1. PIN CONFIG.

① Vout

② GND

③ Vcc

2. G.T  $\pm 0.3$